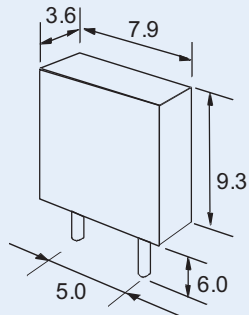


ZTB SERIES

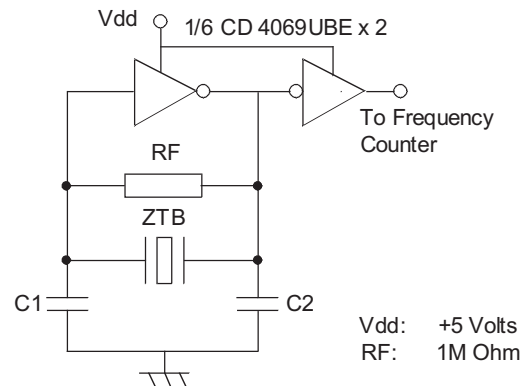
375kHz to 429kHz

ZTB Series 375kHz to 429kHz



Outline and Dimensions

Test Circuit



Electrical characteristics

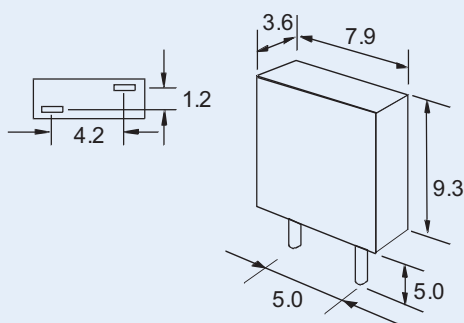
Part Number	Frequency Range (kHz)	Frequency Accuracy at 25°C	Temperature Stability -20° to +80°C	Ageing Stability 10 years	Resonance Resistance (Ω) max.	C ₁ (pF)	C ₂ (pF)
ZTB ---P	375 to 429	±2.0kHz	±0.3%	±0.5%	20	120pF	470pF

(For ---- insert frequency)

ZTB SERIES

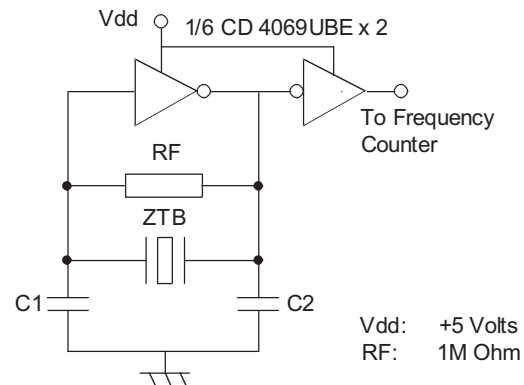
430kHz to 439kHz

ZTB Series 430kHz to 439kHz



Outline and Dimensions

Test Circuit



Electrical characteristics

Part Number	Frequency Range (kHz)	Frequency Accuracy at 25°C	Temperature Stability -20° to +80°C	Ageing Stability 10 years	Resonance Resistance (Ω) max.	C ₁ (pF)	C ₂ (pF)
ZTB ---E	430 to 439	±2.0kHz	±0.3%	±0.5%	20	100pF	100pF

(For ---- insert frequency)